

	Rubinetti / Taps
	MEMORY
	EMEM323NZZ
	<p>Bocca di erogazione a pavimento con regolatore di flusso, regolazione di temperatura non gestita.</p> <p>Floor standing spout with floor in flow. Without temperature regulation.</p>



Prima di realizzare l'impianto consultare la scheda Cod. 16024
Before installing the system refer to the Code tab. 16024

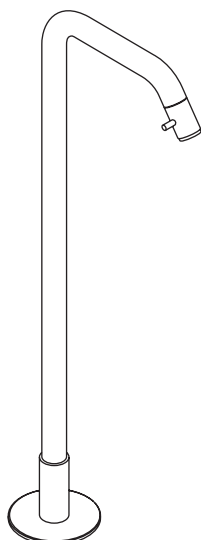
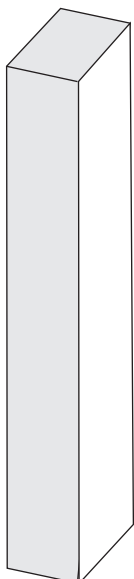
MINIMUM PRESSURE	1 BAR
MAXIMUM PRESSURE	5 BAR
RECCOMENDED WORKING PRESSURE	2-3 BAR
MAX. WATER TEMPERATURE	65°C 149°F
MAXIMUM WATER TEMPERATURE RECCOMENDED	65°C 149°F
MAXIMUM IN-LET PRESSURE DIFFERENCE (HOT-COLD)	1,5 BAR

Installation must comply with the Plumbing Code of Australia and AS/NZS 3500 series

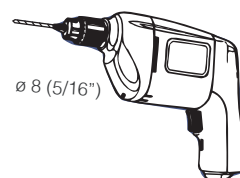
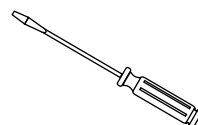
If applicable, any flow control aerator installed in the product must be tightened to prevent removal by hand

EMEM323NZS		2/4
COD. 19072	VERS. 20201027 - SV	

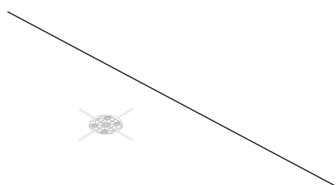
CONTENUTO DELLA CONFEZIONE
PACKAGE CONTENTS



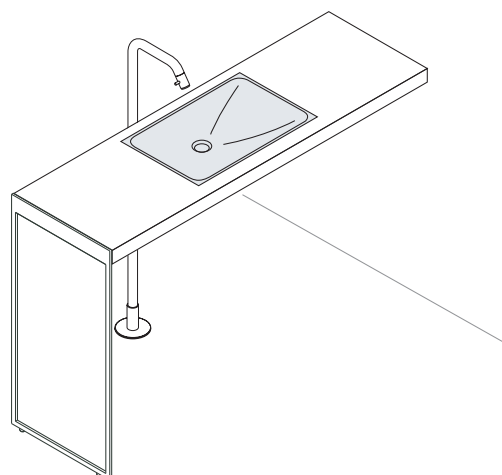
STRUMENTI
TOOLS



PREDISPOSIZIONE
PREPARATION



INSTALLATO
INSTALLED



<p>1</p>	<p>Rivestimento finito Finished wall</p>	<p>2</p>
<p>3</p>		<p>4</p>
<p>5</p>		<p>6</p>

